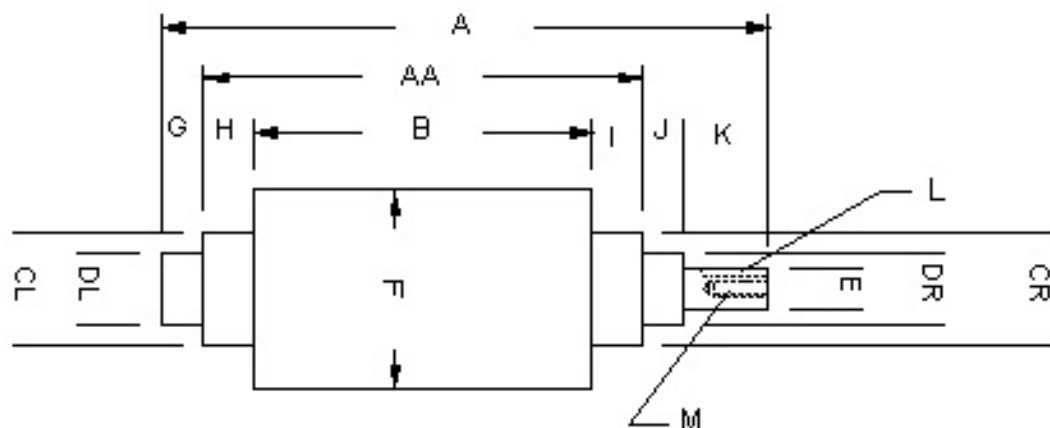


BYRD TOOL CORP.
 502 JOHNSON STREET
 LEITCHFIELD, KY. 42754

PHONE: (270) 230-0079 FAX: (270) 230-0029 mail@byrdtool.com



A(overall length) _____
 AA(length between bearings) _____
 B(cutting edge length) _____
 CL= _____
 CR= _____
 DL= _____
 DR= _____
 E= _____
 F(cutting dia.)= _____
 G= _____
 Rotation _____

H= _____
 I= _____
 J= _____
 K= _____
 L (Key Way) _____
 M(internal threads) _____
 External threads _____
 # Knives/ Wings _____
 Feed Rate _____

Company Name _____

Contact _____

Fax / Phone / email _____

Approval _____

Machine Mfg. _____

Model # _____ Sn. # _____

JOINTER PLANER